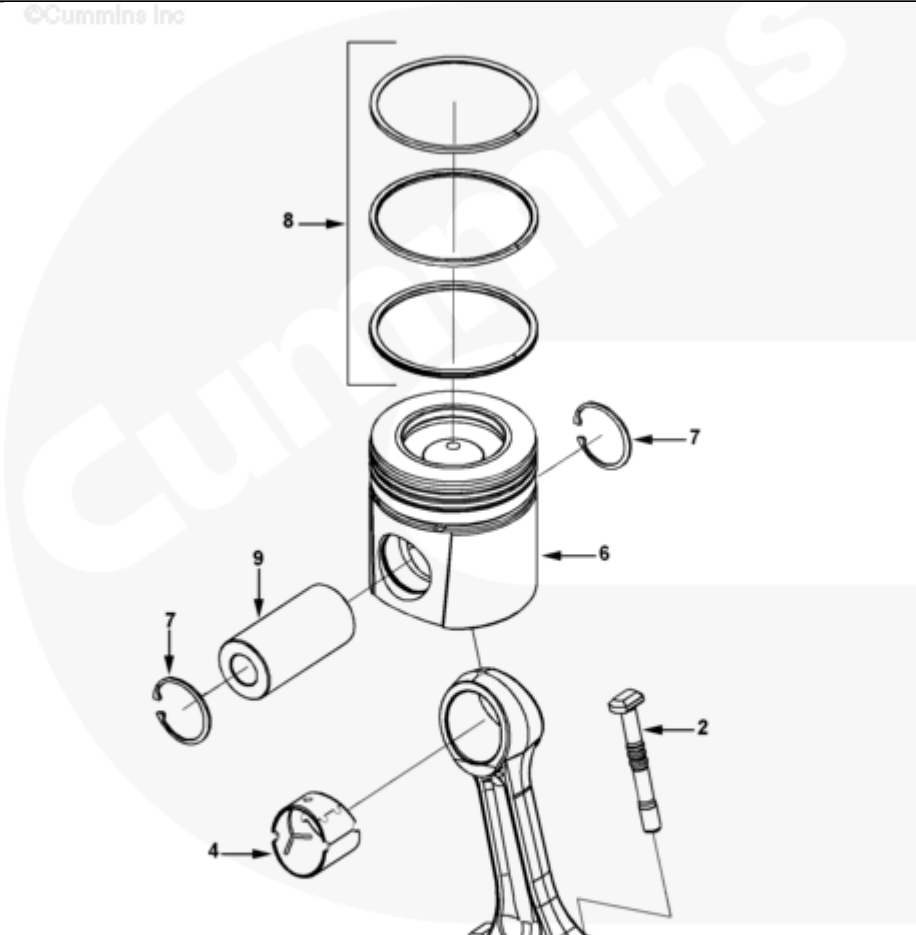




## Parts Catalog - Option Detail

Electronic Parts Catalog - Option Detail				
Option	Group	Graphic	Film Card	Date
PP2960	01.04	pp920gf	Z	07-FEB-01
Engines	6C8.3, C GAS PLUS CM556, G8.3, G8.3 CM558, GTA8.3 CM558, ISC CM2150, ISC CM554, ISC CM850, ISC8.3 CM2250, ISC8.3 G CM2180 C101, ISL CM2150, ISL CM554, ISL CM850, ISL G CM2180, ISL8.9 CM2150 L110, ISL8.9 CM2880 L112, ISL9 CM2150 SN, ISL9 CM2250, ISL9 CM2350 L101, ISL9 CM2350 L111, ISLE4 CM850, L GAS PLUS CM556, L8.9, L8.9 L121, L8.9G CMOH2.0 L125B, L9 CM2350 L116B, L9 CM2350 L119B, L9 CM2350 L120C, L9 CM2350 L123B, L9.3 L105, L9.5 L117, L9N CM2380 L124B, QSC8.3 CM2250, QSC8.3 CM2880 C102, QSC8.3 CM554, QSC8.3 CM850(CM2850), QSL9 CM2250, QSL9 CM2250 L115, QSL9 CM2350 L102, QSL9 CM2350 L107, QSL9 CM2350 L118, QSL9 CM2350 L122, QSL9 CM554, QSL9 CM850(CM2850), QSL9 G CM558, QSL9 M CM2250 L106, QSL9.3 CM2880 L113			



pp920gf

[SMALL](#) | [MEDIUM](#) | [LARGE](#)

Cart	Ref No	Part Number	Part Description	Required	Remarks
<a href="#">View My Cart</a>					
		<a href="#">PP2960</a>	Connecting Rod And Piston		
					Certified Model Name: 6
					CTA8.3-M (SWAC)
					Timing Gear Code: N/A
					CPL: 2960
					Certified By: EPA, Lr
					AFC: Yes
					ASA: No
					EFC: No ETC: No
					Manifold Type: Wet
					Engine Aspiration:
					Seawater Aftercooled
					Engine Control System:
					Phoenix
					Application: Marine
					Power Turbine: N/A
					Design Phase: N/A
					Power Rating: Marine ECM
					Version: CM552
					Centinel Provision: N/A
<input type="checkbox"/>		<a href="#">3901383</a>	Engine Connecting Rod	6	Recon Equivalent 3901383 RX
	1	<a href="#">3924350</a>	Engine Connecting Rod	1	
<input type="checkbox"/>	2	<a href="#">3928870</a>	Connecting Rod Bolt	2	
<input type="checkbox"/>	3	<a href="#">3934864</a>	Connecting Rod Nut	2	
<input type="checkbox"/>	4	<a href="#">3913990</a>	Bushing	1	
	5	<a href="#">3901430</a>	Connecting Rod Bearing	12	Standard
		<a href="#">4020058</a>	Engine Piston	6	Serviced as 4025366

	6	<a href="#">4019886</a>	Engine Piston	1	Sold In Higher Level Assy/Kit
<input type="checkbox"/>	7	<a href="#">3920692</a>	Retaining Ring	2	Ref TSB170022
<input type="checkbox"/>	8	<a href="#">3802429</a>	Piston Ring Set	1	
		<a href="#">3919918</a>	Compression Piston Ring	1	Sold In Higher Level Assy/Kit
		<a href="#">3921919</a>	Oil Piston Ring	1	Sold In Higher Level Assy/Kit
		<a href="#">3926789</a>	Compression Piston Ring	1	Sold In Higher Level Assy/Kit
<input type="checkbox"/>	9	<a href="#">3934046</a>	Piston Pin	6	Ref TSB170022
<input type="checkbox"/>	5	<a href="#">3901431</a>	Connecting Rod Bearing	A/R	0.25mm Oversize
<input type="checkbox"/>	5	<a href="#">3901432</a>	Connecting Rod Bearing	A/R	0.50mm Oversize
<input type="checkbox"/>	5	<a href="#">3901433</a>	Connecting Rod Bearing	A/R	0.75mm Oversize
<input type="checkbox"/>	5	<a href="#">3901434</a>	Connecting Rod Bearing	A/R	1.00mm Oversize

© 2019 Cummins Inc., Box 3005, Columbus, IN 47202-3005 U.S.A.  
Terms of Use and Disclaimers | Recommended System Requirements  
Need Assistance? Please click on the Contact Us button in the top right corner of any page.